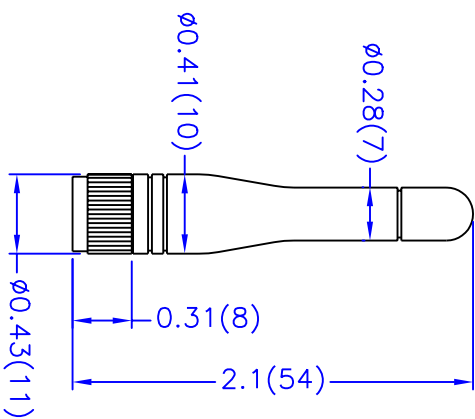


Alternative Connectors

- .SMA Reverse Polarity Plug(Female)
- P/N: T321AH-GDP
- .SMA Reverse Thread Plug(male)
- P/N: T321AT-GDP



Electrical Properties:

Frequency Range: 890~960MHz(GSM)
 Tri-Band 1710~1810MHz(DCS)
 1850~1990MHz(PCS)
 Impedance: 50Ω nominal
 VSWR: <2.0:1
 Gain: 0 dBi
 Radiation: Omni
 Polarization: Vertical
 Wave: 1/4 Wave Helix

Mechanical Properties:

Connector: SMA Plug(male)
 Material: Polyurethane(Black)
 Whip: Brass with black chrome plating
 Connector: Brass with black chrome plating
 Operation Temp.: -20°C to +65°C
 Storage Temp.: -30°C to +75°C

| | | | |
|---------|----------------------|--|-----|
| TITLE | GSM/DCS/PCS Tri Band | | VER |
| UNIT | Antenna-321 Model | | |
| in.(mm) | DWC. NO. T321AM-GDP | | |
| SCALE | | | |
| NONE | | | |

NEARSON